

Data sheet and installation information

1. Machine configuration and overall dimensions



Shotmaster

<i>Shotmaster</i>	Shotmaster
w/h/d mm w/h/d (inch)	282/713/600 (11 / 27.9 / 23.6)
weight kg weight (lb)	60 132

Capacity

Coffee	350 Espresso / hour at 23s extraction time 4 Espresso at the same time
Hot Water	120 hot water units / hour, 200ml (6.8 oz US) not simultaneously with espresso

Power requirement

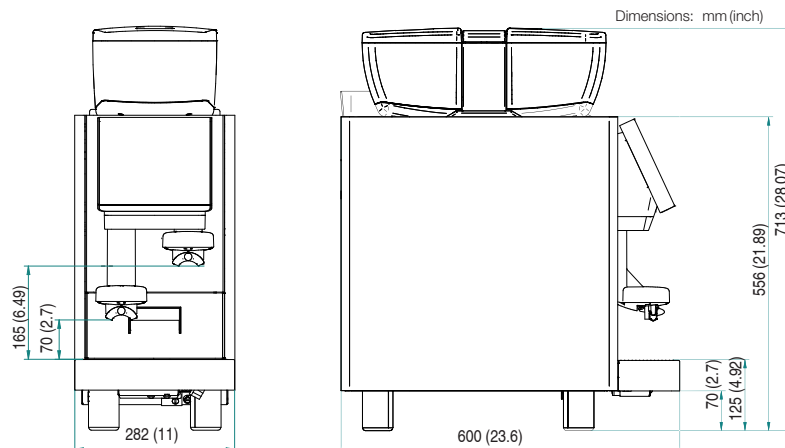
Single-phase	1/N/PE, 220-240V~, 50/60Hz, 25A, 5.8kW
Two-phases (US, JP)	2/PE, 200-210V~, 50/60Hz, 30A, 4.9kW
Three-phases	3/N/PE, 380-420V~, 50/60Hz, 15A, 5.8kW
Three-phases (Triangle)	3/PE, Δ 220-230V~, 50/60Hz, 20A, 5.8kW


Technical data

Brew chamber	2 x up to 24g
Grinding	2 x drive ceramic grinder disk
User Interface	1 x 8" colour touch screen
Bean hoppers	2 x 1.5kg (3.3 lb)
Coffee spout hgt	70mm to 165mm (2.7 to 6.49 inch)
Interface	USB, SD-Card, Ethernet, Serial, RS-232, CCI
Standby mode	less than 2W
Coffee boiler size	2 x 1.5 Litre (2 x 0.39 gal US)
Lighting concept	Front panel full color LED

Water Connection

Water	G3/8" female, 2.5 - 4 bar
Water hose	2 m length (78.7 inch)
Drain	Self priming (see drawing rear side)
Water quality	Total hardness: 5 - 8°dGH (89-142 ppm) Carbonate hardness: max. 6°dKH (107 ppm) pH value: ideal 7.0 - 7.2



 *true espresso with a touch*

2. Prior to the installation, READ SAFETY INSTRUCTION FIRST

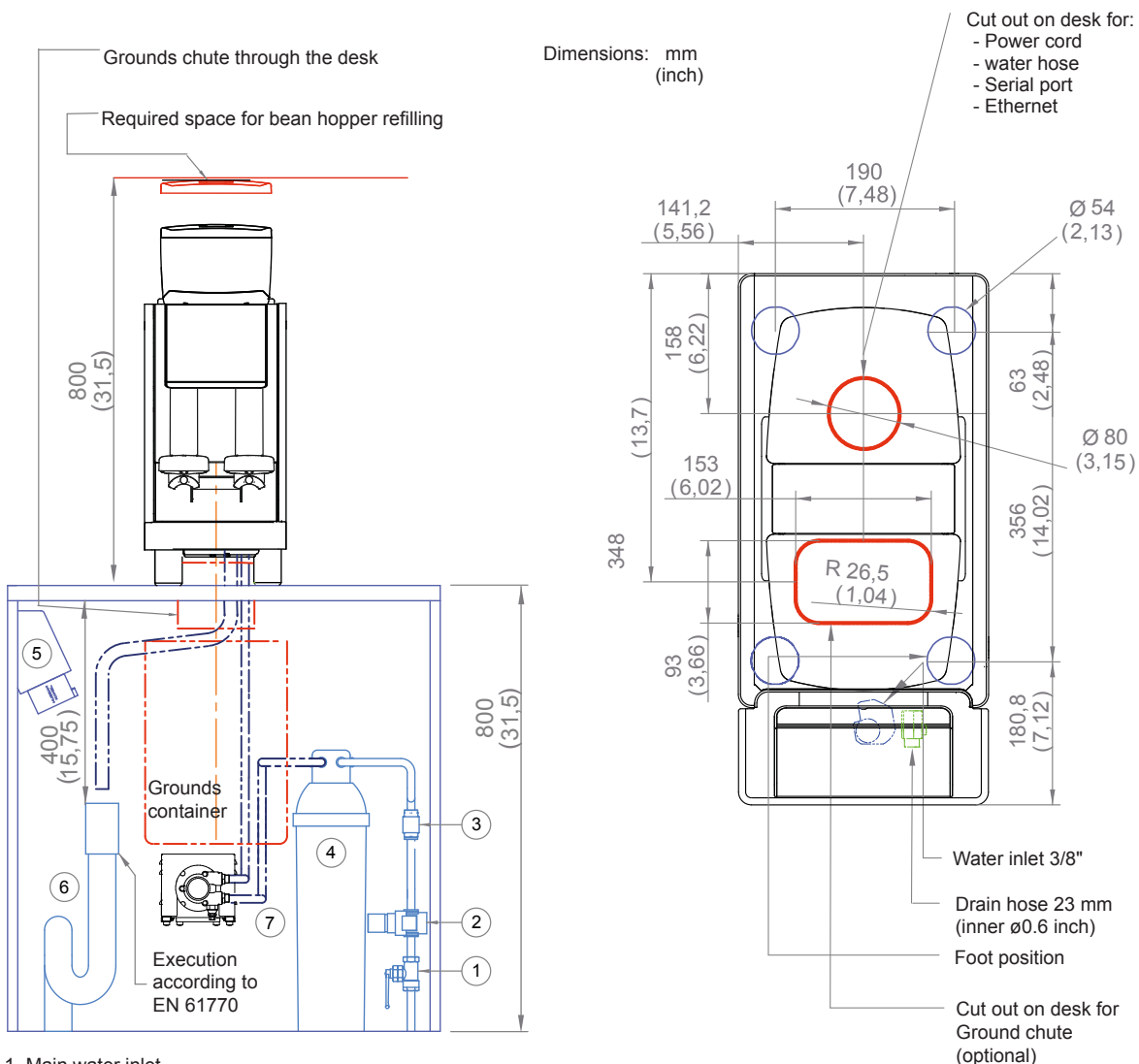
- Check water quality
- Define filter type and size and check space inside counter
- If no discalling cartridge is used, install carbon filter as minimum
- Check required desk for machine
- Check counter cut out
- Check water supply installation
- Check power supply installation
- Check all with customer on site
- Make sure original coffee is available
- Check drinks recipes and cup sizes

3. After installation

- Instruct staff using Quick reference card
- Fill in installation warranty sheet and send it back to Eversys

4. Desk preparation

mm (inch)



1. Main water inlet
2. Pressure reducer output 3 bar (43,5 psi)
3. Check valve
4. Descaling cartridge or carbon filter as minimum
5. Electrical socket according to local standard
6. Drain with syphon, top end min. 56mm diameter (2.2 inch)
7. Water pump

true espresso with a touch