

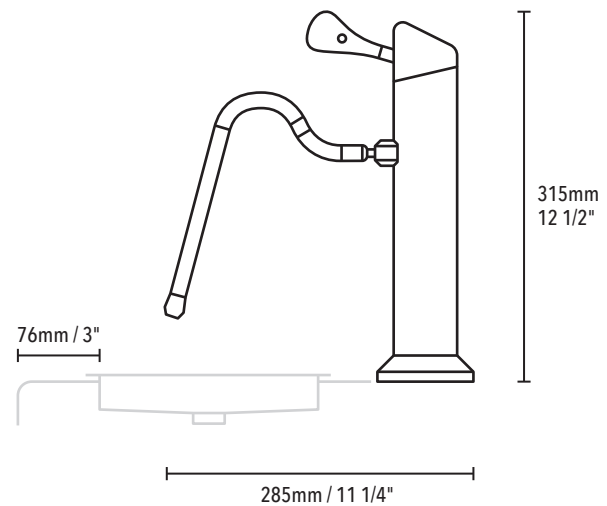
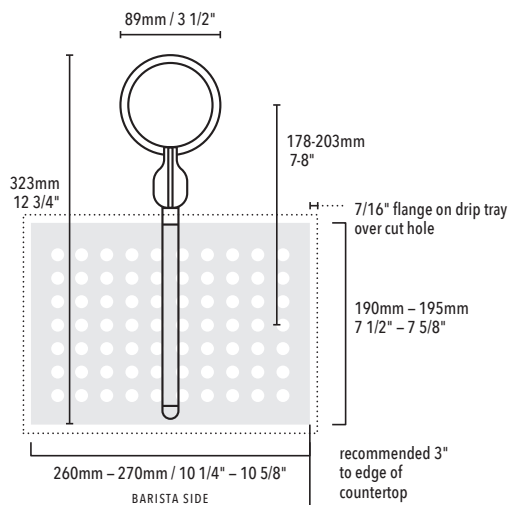
## Pre-Installation Specifications Modbar Steam

Instructions for plumber, electrician, architect or designer, outlining the specific requirements **PRIOR TO INSTALLATION** of the Modbar Steam System.

Prepare your site for the installation of one or more tap(s) and drip tray(s) in the countertop surface and one or more module(s) on a well-ventilated shelf or rack directly below.

### Designer or Architect Specifications — Above Counter

- A dry, well-ventilated counter area, which is between 32" and 38" high, with a depth of at least 20".
- 1 1/2" holes drilled through the countertop for each tap and appropriate holes cut for each drip tray. Cuts should be made prior to the installation using the Modbar Steam layout template included with your system.
- If installing multiple taps, leave at least 12" between center holes on adjacent taps.



## Designer or Architect Specifications — Below Counter

- Cabinet space should have a depth of at least 20" and a width of at least 26" to allow for clearance around and behind the modules.
- Shelves or a wire rack should be provided to support each module.
- Side access to modules recommended whether through sliding doors or removable panels.
- We **do not recommend** installing cabinet doors in this space.
- Cafe owner should consider where filtration will go. Water filtration is required for all equipment.

## Water Specifications

Your filtration system should produce water with the following properties:

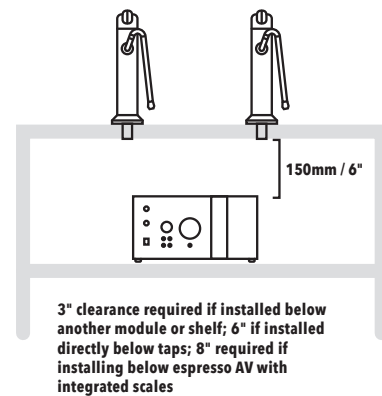
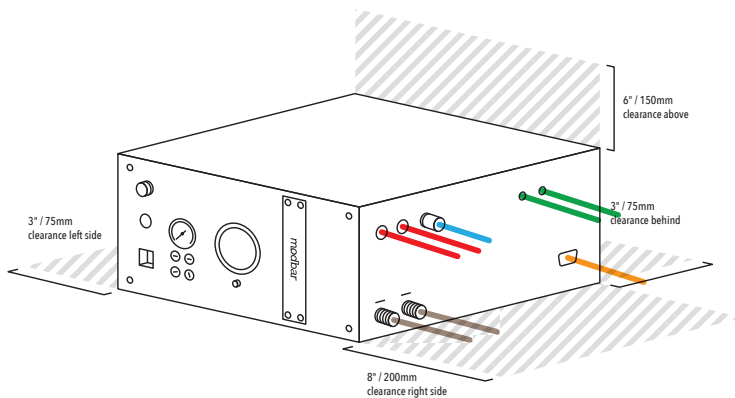
T.D.S.	90–150ppm
TOTAL HARDNESS	70–100 ppm
TOTAL IRON	0–0.02ppm
FREE CHLORINE	0–0.05ppm
TOTAL CHLORINE	0–0.1ppm
PH	6.5–8

ALKALINITY	40–80ppm
CHLORIDE	0–30ppm
LINE PRESSURE	35–70 PSI
FLOW RATE	2 GPM/8 LPM

## Module Dimensions & Specifications

MODULE	WIDTH (+CLEARANCE)	DEPTH (+CLEARANCE)	HEIGHT (+CLEARANCE)	WEIGHT	VOLTAGE	RECEPTACLE	WATTAGE
Steam	17" (+11")	15" (+3")	8 1/2" (+3", or 6")	40 lbs	208-240V	NEMA 6-20R	3600

## Required Module Clearance



## Plumber Specifications

- **Each module** requires a 3/8" angle stop valve, with a flow rate of at least 2 gallons per minute.
- Pressure between 35 and 70 PSI. If pressure is too high i.e. >70psi, pressure regulator is required.
- Owner should communicate with equipment installer about water filtration requirements. Talk with your sales representative for more information.

## Waste Outlet

- Drain connection is two (2) male 3/4" barb connections. Required 3/4" armored drain hose (5 feet and tee) is included with your system.
- Open gravity drain of minimum 1 1/2" interior diameter within 5 feet of module(s).
- Drain must be located **lower than the bottom-most module** in your Modbar system. There should be no less than 1" per foot downward slope in drain line.

## Electrician Specifications

- The electrical requirements are 208-240 Volt single-phase, 50-60hz supply with 20 amp **per module**. (Subpanels are useful in multiple-module installations.)
- All modules will be supplied with a NEMA 6-20P plug end on the power cord. Receptacle should be no further than 5 feet from the modules, with the electrician responsible for installation of NEMA 6-20R.

